

Fact Sheet

CWEmaxx 6000

BIZERBA

Our high-performance checkweigher CWEmaxx is designed for up to 400 packages per minute. This all-rounder can be used for products weighing between 10 g and 15 kg and allows many applications thanks to IP65 protection.



More information
High performance
with a wide range of
solutions and options.

Specifications	Facts	Details
Weighing data	Weighing range: 6,000 g	3,000 6,000 g
	Scale division d: 1-2 g	1 g 2 g
	Verification scale interval e: 1-2 g	1 g 2 g
	Minimum load: 150 g	150 g
Performance data	Max. throughput: 152-329 packages per min.	Depending on length of weighing conveyor
	Max. belt speed: 120 m/min	
	Min. belt speed: 5 m/min	
Device version / material	Stainless steel	1.4301
Operating panel	12" color touchscreen	
Interfaces	USB, EDP 1, 8 inputs, 8 outputs, Ethernet	EDP 1 (RS232 or RS422 or TTY)
IP rating	IP65	Conveying unit
		Control cabinet
		Display
Transport	Left to right right to left	Conveying direction
	750-1,150 mm +/-30 mm	Transport height
Conveyor belt	Conveyor widths: 225-400 mm	225, 300, 400 mm
	Belt lengths:	Length specifications always as axle distance:
	Weighing conveyor length: 325-750 mm	325, 400, 500, 600, 750 mm
	Infeed conveyor length: 325-750 mm	325, 400, 500, 600, 750 mm
	Rejection conveyor length: 325-1,500 mm	325, 400, 500, 600, 750, 1,000, 1,250, 1,500 mm
	Belt colors: white and blue	white as a standard and blue optionally available
	Roll diameter: 32 mm	Rollers made of aluminum, surface hard coated
Belt unit and quick-change belt system		
Ambient conditions	0 °C to +40 °C	Operating temperature
	20 - 90%, non-condensing	Humidity
Energy supply	100-240 V, 50-60 Hz	Power supply
	500-750 VA	Power consumption
	6 bar	Compressed air supply
Software licenses	STATISTICS	For classification of more than 3 products
	WEIGHT_CLASSES	
Software variants	Code page software	Data transfer (texts & strings)
	UNICODE software	Data transfer (texts & strings) in UTF-8 coding
further characteristics	Article memory	100,000
	Weight classes	80
	Remote maintenance	
	Web interface	
	Sending of status e-mails	

Options	Facts	Details
Metrologically approved as per OIML R 87	Prepack regulations (FPV) control	The checkweighers are metrologically approved as per accuracy class XIII (1) and therefore suitable for prepack regulations control.
Metal detector	integrated metal detector	The metal detector is operated from the display of the checkweigher.
	Metal detector belt length	750 1,000 mm
Operating panel	7" color display with membrane keyboard	WVGA (800x480)
Indexing belt length	325, 400, 500, 600, 750 mm	Shaft distance
Rejection systems	Air-jet nozzle	Further rejection systems upon request as a project
	Pusher	
	Divider	
	Catcher	
	Flap reject	
	Swing and drop belt	
Reject bin	Stainless steel	
	Dimensions (L x D x H)	150 200 300 400 x 300 x 750 mm, Opening: 200 mm 250 350 500 x 310 410 x 750 mm, Opening: 250 mm
	Container fill level check	Light sensor
	Ejection monitoring	1 light sensor or 4 light sensors
	Lock for reject bin	available as latch or lock
	Door monitoring	stops the system when the reject bin door is open after expiration of an adjustable time
Protocol printer	Mounted to control cabinet	Incl. license LINE_PRINTER and serial interface
Emergency stop	Emergency stop with belt switch-off	mounted to main column, turns off conveyor drives
	Emergency stop with pneumatic system and belt switch-off	additionally switches off the pneumatic system
Signal lamp	2-color	Red = fault, green = device okay
	3-color	Red = fault, yellow = stop, green = belts running
Emergency operation function	The conveyor belts of the checkweighers can be started manually even if the operating and control unit failed.	The belts run in order to ensure the production flow (without weighing function). Operation via extra module in the control cabinet with adjustable belt speeds.
Tendency control kit	Incl. license Tendency Control and relay	
Line integration kit	3 outputs via relay and 1 input	
Flow control	Light sensor	
Draft shield	from the top from the bottom	reduces interfering influences resulting from drafts
Guiding bars	available for all belt lengths	
Belt transition plates	available for all belt widths	closes the gaps between the belt bodies
Compressed air monitoring	stops the system when air pressure drops	
Software licenses	BRIDGE+MC_BUFFER VERIFIABLE_X1	For buffering data in the event of LAN / pc failure as per prepack regulations, incl. conformity assessment

ETHERNET
ONLINE
SOFTCONTROL
TENDENCY CONTROL
LINE_PRINTER

Ethernet connection via TCP/IP
Communication via Gx-Net via ETHERNET
For operation from a second work station
To regulate filling systems (without relay)
Required for external printer Info graphics

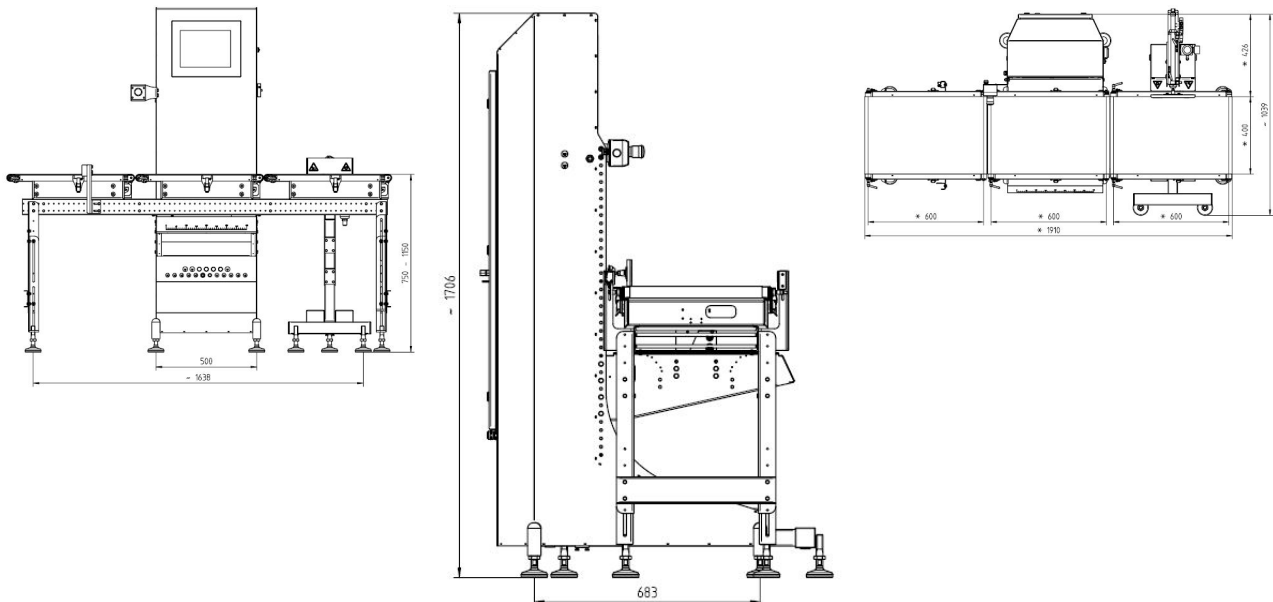
Info graphics

Symbols



329 packages per minute
IP65 protection
Unicode
e (metrologically approved)
Stainless steel
Strain gauge

Dimensional drawings



Bizerba SE & Co. KG
Wilhelm-Kraut-Straße 65
72336 Balingen

T +49 7433 12-0
fax: +49 7433 12-2696
marketing@bizerba.com

www.bizerba.com