

TPE10

Package fresh food easily, quickly and efficiently, optionally also with MAP or skin technology: Our semi-automatic tray sealer TPE10 makes your work easier, for instance through mold change without the need of other tools. Use the TPE10 as needed for a wide variety of packaging types and materials. An individual retail solution for maximum flexibility which requires minimal space.



More information
High performance with a wide range of solutions and options.

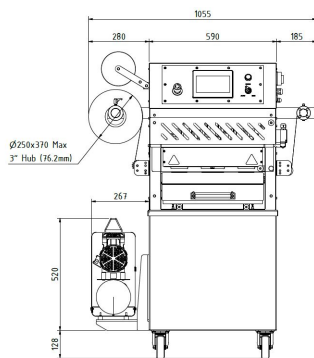
Specifications	Facts	Details
Functionality	Semi-automatic	<ul style="list-style-type: none"> – Automatic sealing of product – Manual package feeding and opening/closing of the tray holder compartment by the operator
Supported applications and technologies	<ul style="list-style-type: none"> – Tray sealing – MAP – Skin pack 	<p>Applications based on selected configuration and device equipment</p> <p>Without/with protrusion (depending on sealing mold)</p>
Sealing mold	<ul style="list-style-type: none"> – Quick and easy to replace – Package-specific or universal sealing mold 	<ul style="list-style-type: none"> – Molds made of anodized aluminum – PTFE coated sealing plates
Number of recesses and max. tray dimensions (W x L)	<p>Packaging-specific sealing mold (fixed tray size) with automatic film cutting at the tray edge</p> <p>Universal sealing mold (several tray sizes possible) with manual cutting between trays</p>	<ul style="list-style-type: none"> – 1 recess: 410 x 310 mm – 2 recesses: 191 x 310 mm – 3 recesses: 118 x 310 mm – 4 recesses: 191 x 145 mm – 1 recess: 400 x 300 mm – 2 recesses: 197 x 300 mm – 3 recesses: 130 x 300 mm – 4 recesses: 197 x 147 mm
Max. tray height Universal sealing mold	<p>Application</p> <ul style="list-style-type: none"> – Tray sealing (without protrusion) – MAP (without protrusion) – Skin packaging (without protrusion) 	<p>Tray height</p> <ul style="list-style-type: none"> – 120 mm – 120 mm – 30 mm
Max. tray height Package-specific sealing mold (only MAP)	<p>Application</p> <ul style="list-style-type: none"> – Tray sealing (without protrusion) – MAP (without protrusion) 	<p>Tray height</p> <ul style="list-style-type: none"> – 120 mm – 120 mm
Max. tray height Package-specific sealing mold (MAP, skin packs and cardboard trays)	<p>Application</p> <ul style="list-style-type: none"> – Tray sealing (without protrusion) – MAP (without protrusion) – Skin packaging (without/with protrusion) – Skin packaging (cardboard trays with protrusion) 	<p>Tray height</p> <ul style="list-style-type: none"> – 70 mm – 70 mm – 30 mm – 0 mm
Usable tray materials	PE, PP, PET, PS, CPET, aluminum, paper/ cardboard	
Min. film width Universal sealing mold	370 mm	
Min. film width Package-specific sealing mold	Depending on tray size and mold	See sealing mold drawing
Film thickness Universal sealing mold	<p>Application</p> <ul style="list-style-type: none"> – MAP – Skin pack 	<p>Material thickness</p> <ul style="list-style-type: none"> – > 40 micron – 100 / 125 / 150 micron

Film thickness Package-specific sealing mold	Application – MAP – Skin pack	Material thickness – 25-60 micron (Tecapeek plates recommended below 40 micron) – 80-150 micron
Max. film roll width	370 mm	
Max. core diameter of film roll	250 mm	
Operator display	7" color touchscreen	– Can be operated with gloves – Easy program selection & creation of new programs – Program backups possible – Country languages selectable in the menu
Throughput	2/3 cycles per minute	
Dimensions (W x H x D)	1,055 x 1,365 x 998.5 mm	Incl. compressor
Weight	220 kg	
Housing	Stainless steel	AISI 304
Electrical connection	3 x 400 V+N+PE, 50 Hz	
Power consumption	4,000 W (63m ³ /h pump), 4,800 W (100m ³ /h pump)	
Rated current consumption	6.4 A (63m ³ /h pump), 7.8 A (100m ³ /h pump)	
Compressed air	6/8 bar	Integrated air compressor included as standard. Can be optionally deselected.
Compressed air consumption	14.7 NI/cycle	NI = liters at normal conditions
Integrated BUSCH vacuum pump	– 63 m ³ – 100 m ³	– Standard – Optional
Options	Facts	Details
Preheater coil film	For faster film preheating	Recommended for skin pack application in combination with cardboard
Tecapeek plates	depending on selected molds	
External interfaces	LAN connection RJ45	For connection to the network, e.g. for remote support

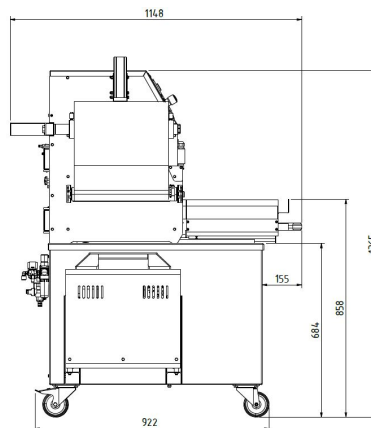
Info graphics



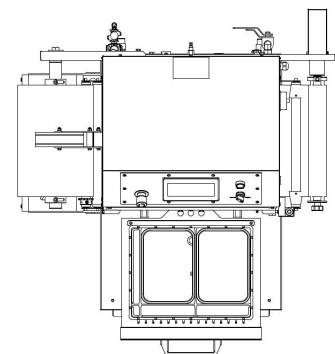
Dimensional drawings



Front view



Side view



Top view

Bizerba SE & Co. KG
Wilhelm-Kraut-Straße 65
72336 Balingen

T +49 7433 12-0
fax: +49 7433 12-2696
marketing@bizerba.com

www.bizerba.com