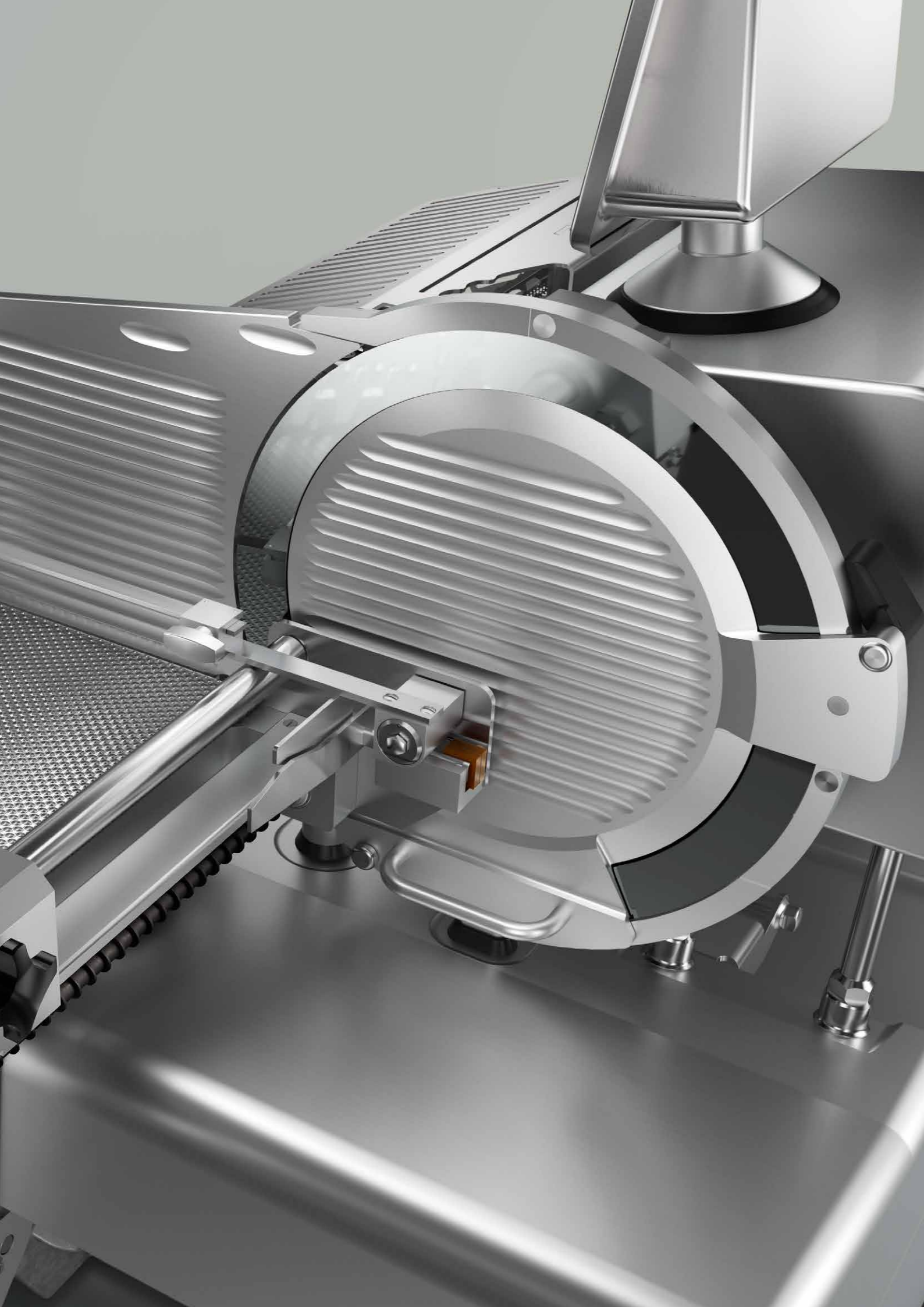


# Vertical slicers VSI

## Intelligent slicing



**The Open World of  
Finest Weighing Solutions.  
Since 1866.**

**Our experience sets standards**

We are a family-owned company guided by a commitment to tradition, sustainability and responsibility. Nowadays, based on our core competence of slicing and weighing technology, we offer our customers the industry's largest and most unique range of products and solutions as hardware, software and services, anywhere in the world.

As a globally operating technology company we are guided by our goal and commitment to achieve maximum results in terms of ergonomic design, hygiene, safety and efficiency. We believe we have a role to play in shaping our markets, and are continually setting new industry standards.

In close collaboration with our customers and against a backdrop of technological advancement, we are working to improve our products on a daily basis – resulting in innovations which become new standards.

In order to continue to live up to these requirements, we focus on the highest possible quality standards and internationally recognized technology standards in our development and manufacturing work. This is how we best support our customers in achieving maximum efficiency and profitable growth.

Our experience sets standards.  
**That's what sets us apart. Bizerba**

*Illustration title: VSI TW*



# New opportunities

---

Precise slicing at a high throughput and a networked production. The VSI series is the basis for both. Whether as a compact tabletop model or machine with conveyor belt: Our models ensure more flexibility and efficiency in the fresh food area. And in best Bizerba quality.

---

Network capable, fully automatic slicing solutions which comply with the highest safety and hygiene standards. The VSI series does both. Via interface, these intelligent slicing solutions can be easily integrated in your production and IT network. They are ideally suitable for variable line solutions within a minimum of space, e.g. in industry, trade or in large kitchens. Increase the efficiency of your production based on your needs. Unique, also software-based functions support you. One example is the integrated

weighing technology with tendency control. It automatically adjusts the machine parameters in such a way that the exact target weight will be reached. Operation becomes even more efficient and error-free with the freely configurable touch display. Benefit from a constant slicing quality and quick order changes. The intelligent motor control Emotion® not only lets you slice in a powerful and precise manner. You even lower your energy costs slice by slice.

# VSI TW

Designed for industrial production the VSI TW smoothly and flexibly integrates in your production lines. The VSI TW is impressive in terms of its high slicing performance at minimal power consumption. This is made possible by the intelligent motor control system, Emotion®. It adapts the power of the extremely quiet motor to the resistance of the product. Even in the case of heavy use the machine remains cool, helping your products to stay fresh for longer.

Benefit from precise slicing results with every task. The device slices and weighs in a single work step. With an integrated tendency control the target weight is reached even when slicing naturally grown products. You avoid overfilling of same weight packages and increase your efficiency.

For modern and safe operation the VSI TW is fitted with an intuitively operable touch display. All slicing parameters and depositing patterns can be easily and individually entered or be called up as a saved PLU. Ideally suitable for consistently high product quality and quick order changes. The machine can also be efficiently cleaned in an industrial environment. This is possible thanks to its hygienic design.



## Software

- Efficient PLU management with integrated product image
- Password protected user management



## Networking

- Networking via LAN
- Central data transfer via Bizerba PC software
- Remote support



## Hygiene

- IP rating IPx5
- Efficient cleaning with foam and hose
  - with mobile stand\* also outside the production
- Guided run-off of meat and product juices
- Generous distance between components
- Easy disassembly without tools
- Removable components are dishwasher safe

## Touch display

- Easy to operate, suitable for many glove types
- Clearly arranged, freely configurable user interface
- Clearly legible due to backlighting

## Emotion®\*

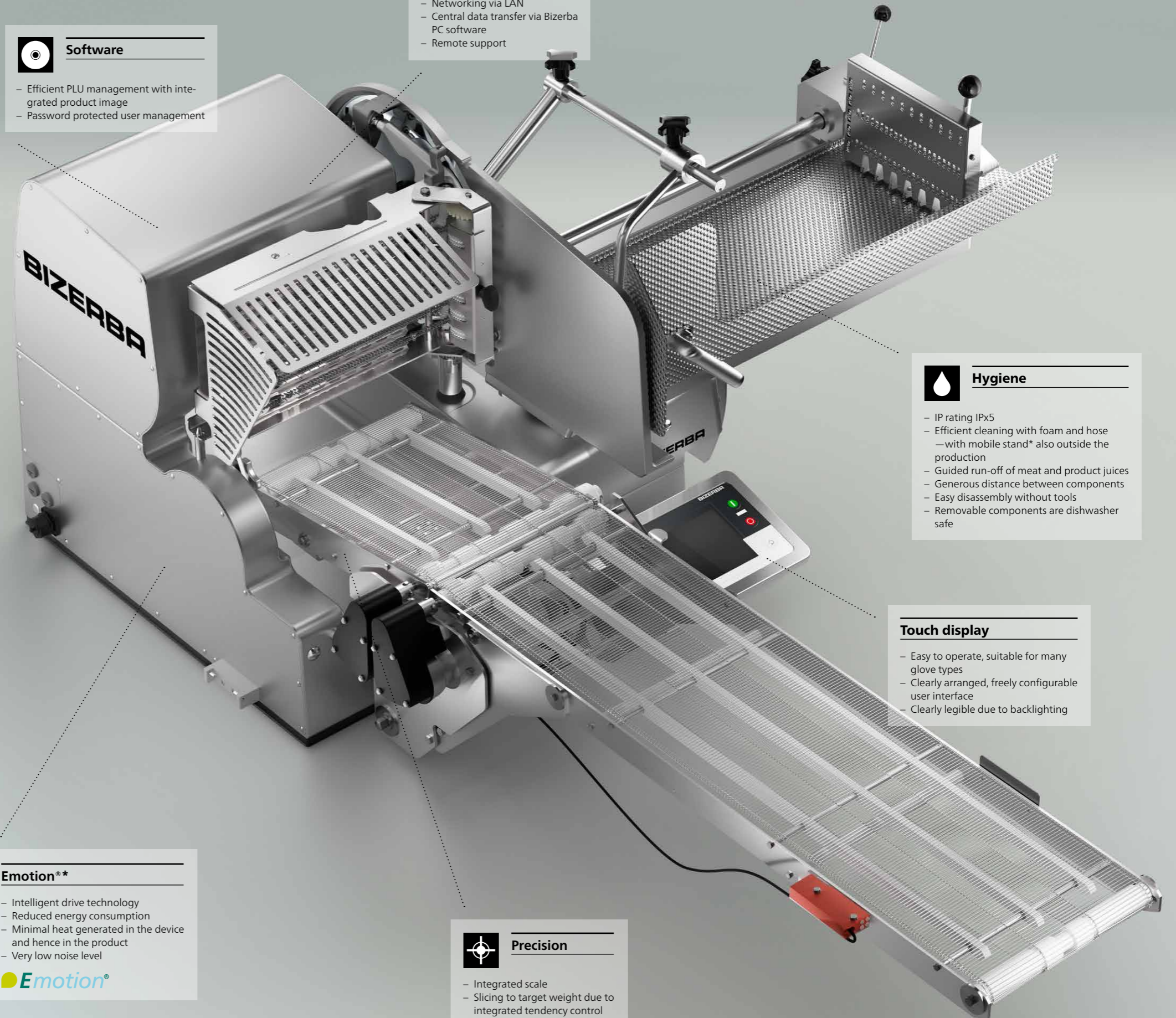
- Intelligent drive technology
- Reduced energy consumption
- Minimal heat generated in the device and hence in the product
- Very low noise level



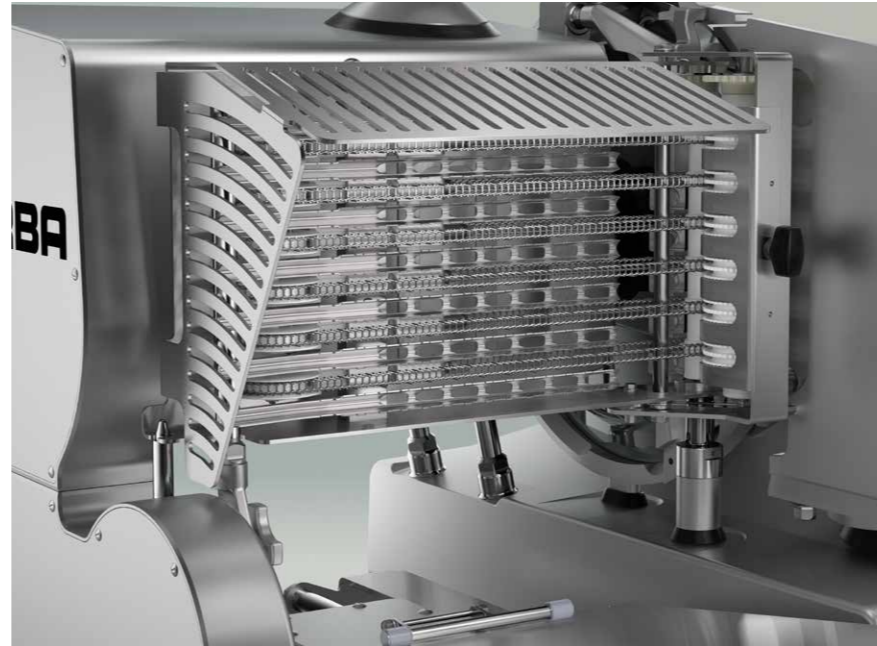
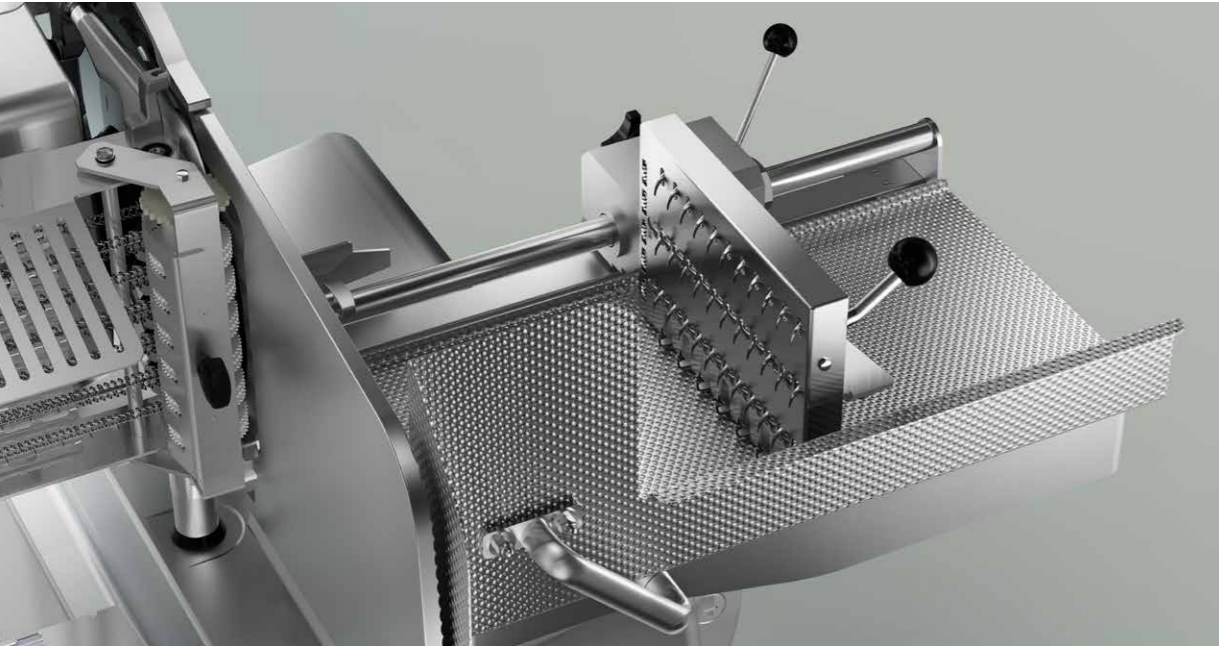
## Precision

- Integrated scale
- Slicing to target weight due to integrated tendency control

\* optional



# Smart handling



## Intuitive operation

With the VSI series we attached importance to modern operating comfort. The result: An intuitively operable touch display by means of which staff can safely operate the devices after brief initial training. All slicing parameters, e.g. product, slice thickness, number of slices and depositing pattern can be easily and individually changed via touch display or be loaded from the memory as a PLU. The customizable design with self-explanatory symbols ensure a clear dialog between device and operator. It helps to prevent errors and to keep a constant product quality. For even more ease of use and transparency an individual user profile may be assigned to each user group.

## Intelligent networking

Fitted with data and control interfaces the VSI models smoothly integrate in the device and system landscape of your production or your store network. Perfect for an efficient work and data flow. Networked line solutions as well as numerous data based functions and services are possible: You can centrally back up production data or install software updates. Quick remote support is now also possible. Via the monitoring option of the Bizerba PC software you receive valid information on availability, performance and quality of your device. The optimal basis to monitor and control your production and to be prepared for the future.

## Unique functionality

With the new functions of the intelligent VSI models you optimize your processes. The Bizerba retail software ensures transparent device management. The device passport with machine number, location and further details on hardware and software is digitally shown. Perfect for preventively planned maintenance or quick service in case of a malfunction. Messages are automatically sent to the service center via e-mail. Any further steps can thus be taken quickly. Ideal for efficient production with minimal downtimes.

## Efficient PLU management

For an optimal product quality and quick product change the VSI models offer an efficient PLU management. With saved formulations you automatically slice your products in the correct slice thickness or desired depositing pattern. With the alphanumeric key you directly transfer even complex PLU numbers from ERP systems. Setting up a system sorted by product groups is also possible. The product image database additionally ensures error-free operation.

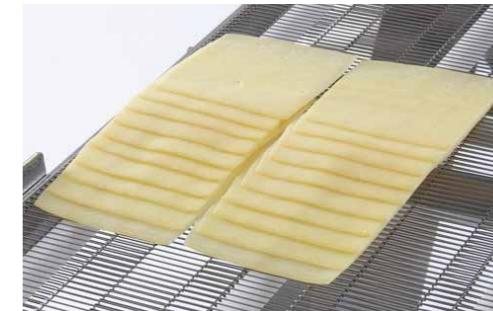
## Optimal variety

You can offer your customers a broad range of diverse meat, cold cut and cheese products. With the accessories for the VSI models you can process different products in a gentle and fresh manner. From waver-thin ham up to steaks for barbecuing. For a quality you can taste, smell and mainly see the devices offer a broad spectrum of depositing types. Simply select a suitable pattern from the depositing system. Shaving portions can be as easily produced as cross-wise or lengthwise shingles. Stack heights of up to 90 mm and a circular pattern round up the spectrum.

## Flexible integration

Among the VSI models you find a suitable solution for your production. For assisted sales at the fresh food counter the tabletop versions with and without scale are particularly suitable. Specifically for industrial production we have developed models with variable conveyors. Due to their compact, space-saving design these network capable models can be flexibly integrated in your production line, e.g. in combination with packaging machines, interleavers or tray dispensers.

# All-round package



## Hygiene

The hygienic design of the VSI models guarantees high-quality products and efficient cleaning. The ETL mark in the USA confirms the high NSF hygiene standard of the VSI series. Product juices drain towards the center of the machine. The production environment is therefore kept free from contaminants. Wide spaces between the components allow easy cleaning. Removable parts can be easily and quickly disassembled without tools and are dishwasher safe. IP rating IPx5 makes cleaning with foam and water hose possible —with mobile stand (optional) even outside the production environment.

## Safety

For the VSI series operator protection is the top priority. The series complies with international safety standards. Our safety package avoids risks at every stage of the slicing process. The stable blade guard minimizes the risk of injury during operation, sharpening and cleaning. Operators are optimally protected from accidental intervention. Operator prompting and the compact design prevent unintentional start-up or start by third persons.

## Ergonomics

The VSI models have been ergonomically designed to allow you to concentrate fully on your work and your customers. The high-performance technology and the materials used together with the freely configurable touch display provide the best operational comfort without major effort. Thanks to the automatic machine setup you benefit from efficient processes and increased productivity. Working is effortless, clean and precise. The individual components can be disassembled easily and without requiring any tools at all. Therefore, also cleaning is done quickly.

## Energy efficiency

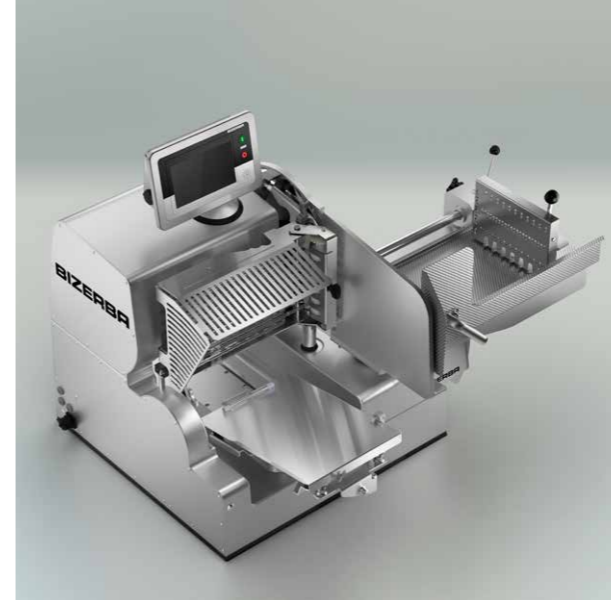
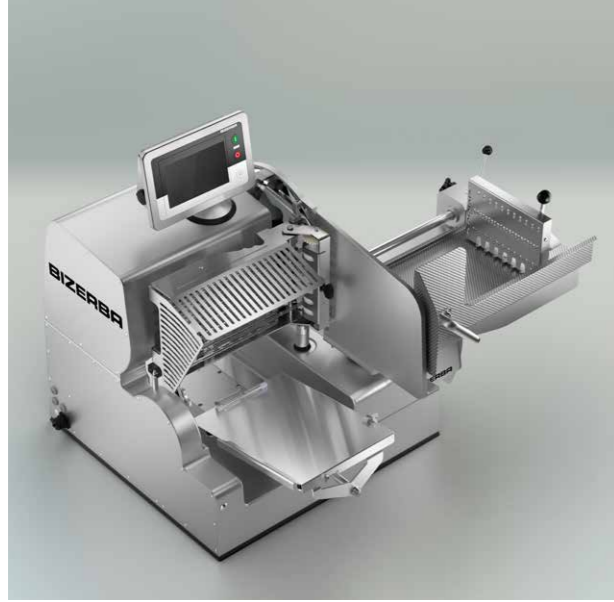
In the VSI series we have integrated a high-performance and energy-efficient motor concept. The cutting performance is outstanding. Even with difficult products you achieve a clean cut and perfect depositing. The Emotion® intelligent drive technology enables you to save energy costs with every slice: The motor adapts its performance to the individual resistance of the product. Meanwhile, you benefit from improved product quality: Only minimal heat is generated around the blade and components getting in contact with the product so that your products stay fresh for longer. An additional positive effect for your employees and customers alike is the fact that the motor is extremely quiet contributing to a pleasant, low-noise in-store atmosphere at your fresh food counter.

## Integrated weighing technology

With models VSI W and VSI TW we have developed integrated solutions which bring together the tasks of slicing and weighing in a single work step. Even naturally grown products can be sliced to target weight. The integrated tendency control makes it possible. Depending on the desired portion weight, the models automatically adjust slice thickness or number of slices during slicing. Your advantages: You slice precisely, benefit from minimal product remnants, reduce give-away and work without long distances between machines which saves time. Particularly suitable for active contact with the customer at the sales counter.

## Tailor-made solution

Based on its project and industry experience the Bizerba application team develops individualized solutions for you. Our experts will also support you after commissioning of your device – and you benefit from a high degree of investment protection. Experience reliable cooperation where all tasks are implemented in a controlled manner and in due time. Benefit from a structured and transparent approach concerning your project: You are informed about each relevant step. At the same time our application team takes future tasks of your company into account. It supports you in keeping development costs lean. We arrive at solutions quickly—and this pays off for you.



# VSI

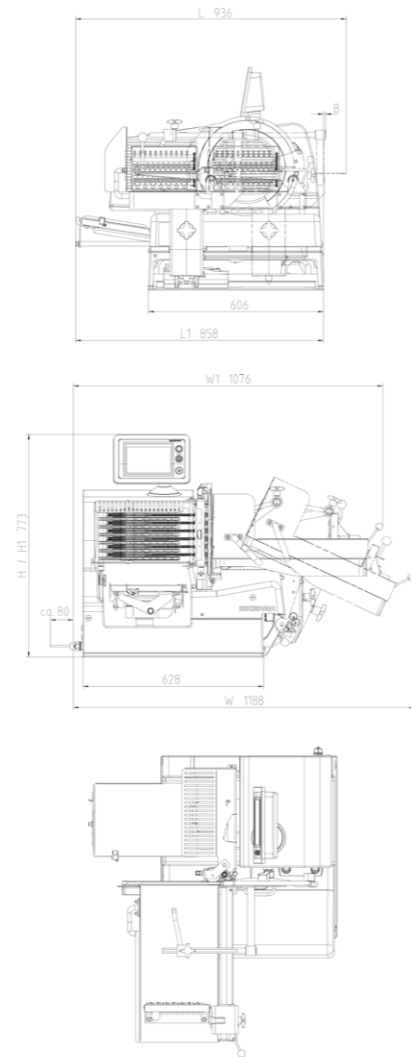
## Highlights

- Fully automatic tabletop model, ideally suitable for selling at the counter
- Hygienic design:
  - IP rating IPx5
  - Efficient cleaning with foam and hose
  - Guided run-off of meat and product juices
- Generous distance between components
- Easy disassembly without tools
- Removable components are dishwasher safe
- Variable and manifold depositing: stacks, shingles, circular pattern, shaving
- Compact design
- Ergonomic and safe operation
- Intuitive touch display
- Networking via LAN and I/O interface
- Emotion®:
  - Intelligent drive technology
  - Reduced energy consumption
  - Minimal heat generation of device and product
  - Very low noise level

## Options

- Individual equipment:
  - Product holder
  - Product clamping
  - Carriage length for products of up to 600 mm
  - Shaving deflector
  - Blade: standard, Ceraclean®, cheese blade
  - Checker plate
- Exclusive Ceraclean® surface finish:
  - Blade cover and gauge plate
- Excellent sliding properties for very sticky products
- Rapid cleaning
- Dishwasher safe
- Mobile or stationary stand
- I/O interface

## Dimensions



BIZERBA

# VSI W

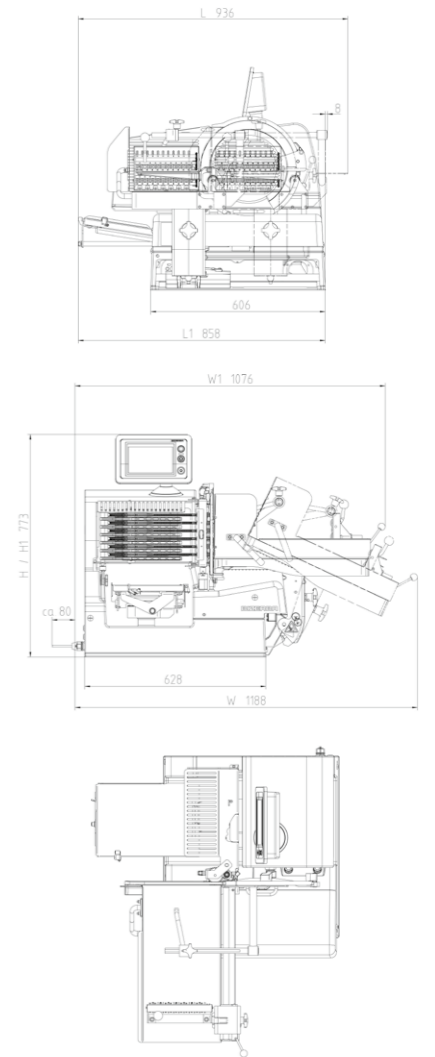
## Highlights

- Fully automatic tabletop model with integrated scale, ideally suitable for selling at the counter
- Integrated tendency control: Target weight slicing within a portion
- Hygienic design:
  - IP rating IPx5
  - Efficient cleaning with foam and hose
  - Guided run-off of meat and product juices
- Generous distance between components
- Easy disassembly without tools
- Removable components are dishwasher safe
- Variable and manifold depositing: stacks, shingles, circular pattern, shaving
- Compact design
- Ergonomic and safe operation
- Intuitive touch display
- Networking via LAN and I/O interface
- Emotion®:
  - Intelligent drive technology
  - Reduced energy consumption
  - Minimal heat generation of device and product
  - Very low noise level

## Options

- Individual equipment:
  - Product holder
  - Product clamping
  - Carriage length for products of up to 600 mm
  - Shaving deflector
  - Blade: standard, Ceraclean®, cheese blade
  - Checker plate
- Exclusive Ceraclean® surface finish:
  - Blade cover and gauge plate
- Excellent sliding properties for very sticky products
- Rapid cleaning
- Dishwasher safe
- Mobile or stationary stand
- I/O interface

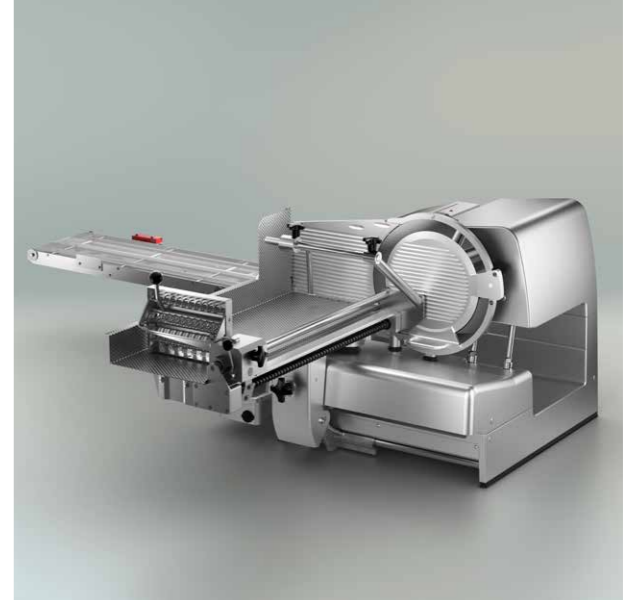
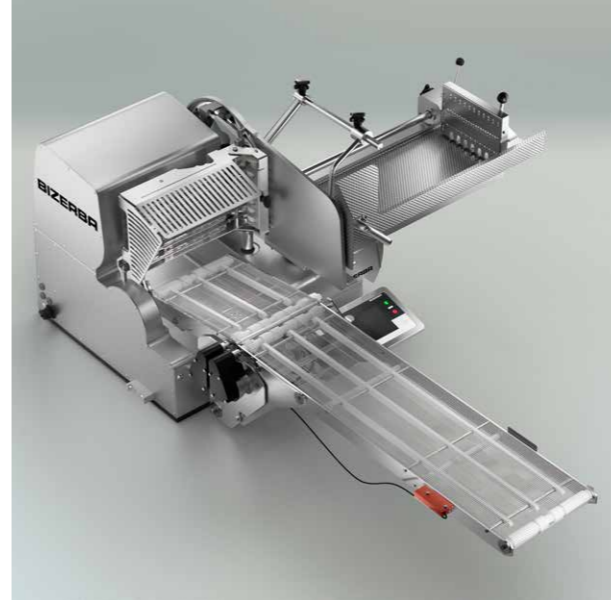
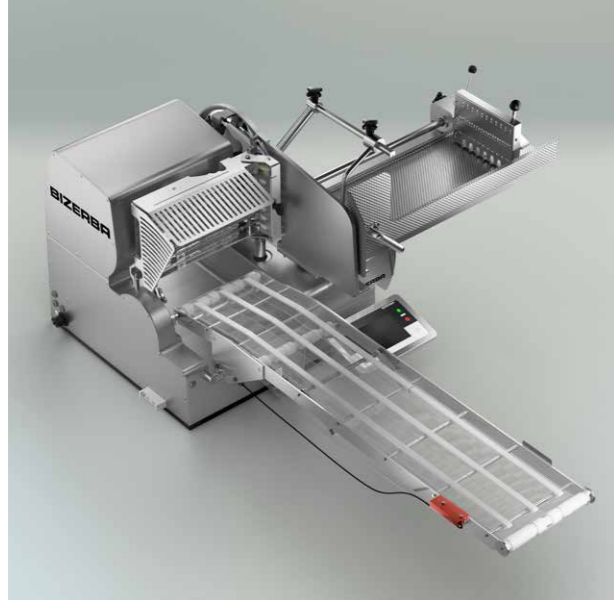
## Dimensions



BIZERBA

VSI W

VSI



# VSI T

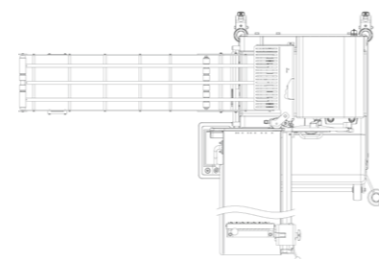
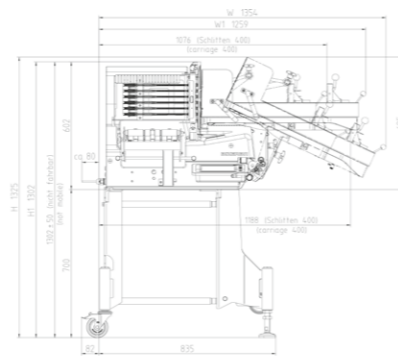
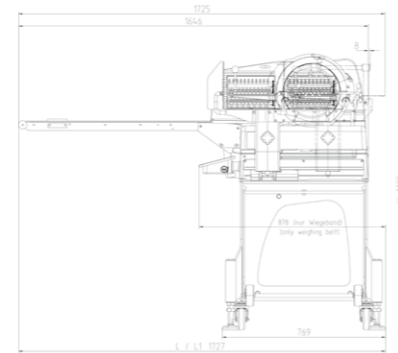
## Highlights

- Fully automatic model with conveyor, ideally suitable for line production
- Hygienic design:
  - IP rating IPx5
  - Efficient cleaning with foam and hose
  - Guided run-off of meat and product juices
  - Generous distance between components
  - Easy disassembly without tools
  - Removable components are dishwasher safe
- Variable and manifold depositing: stacks, shingles, circular pattern, shaving
- Compact design
- Ergonomic and safe operation
- Intuitive touch display
- Networking via LAN and I/O interface
- Emotion®:
  - Intelligent drive technology
  - Reduced energy consumption
  - Minimal heat generation of device and product
  - Very low noise level

## Options

- Individual equipment:
  - Product holder
  - Product clamping
  - Carriage length for products of up to 600 mm
  - Shaving deflector
  - Blade: standard, Ceraclean®, cheese blade
- Exclusive Ceraclean® surface finish:
  - Blade cover and gauge plate
  - Excellent sliding properties for very sticky products
  - Rapid cleaning
  - Dishwasher safe
- Mobile or stationary stand
- Conveyor belt versions
- I/O interface
- Light sensor or proximity sensor

## Dimensions



# VSI TW

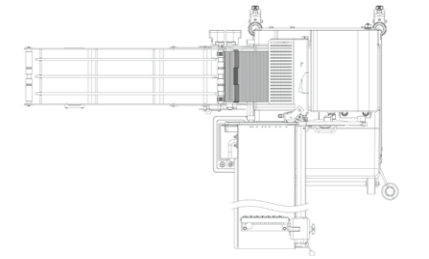
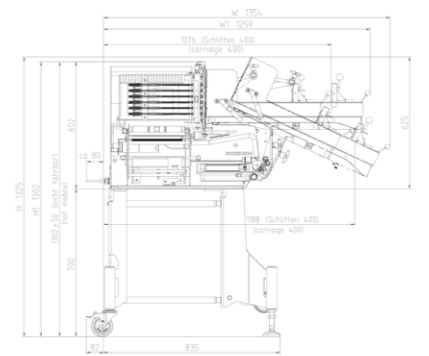
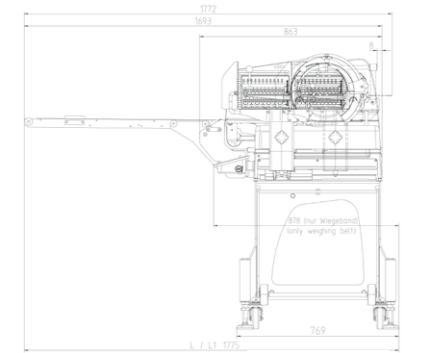
## Highlights

- Fully automatic model with conveyor and integrated scale, ideally suitable for line production
- Integrated tendency control: Target weight slicing within a portion
- Hygienic design:
  - IP rating IPx5
  - Efficient cleaning with foam and hose
  - Guided run-off of meat and product juices
  - Generous distance between components
  - Easy disassembly without tools
  - Removable components are dishwasher safe
- Variable and manifold depositing: stacks, shingles, circular pattern, shaving
- Compact design
- Ergonomic and safe operation
- Intuitive touch display
- Networking via LAN and I/O interface
- Emotion®:
  - Intelligent drive technology
  - Reduced energy consumption
  - Minimal heat generation of device and product
  - Very low noise level

## Options

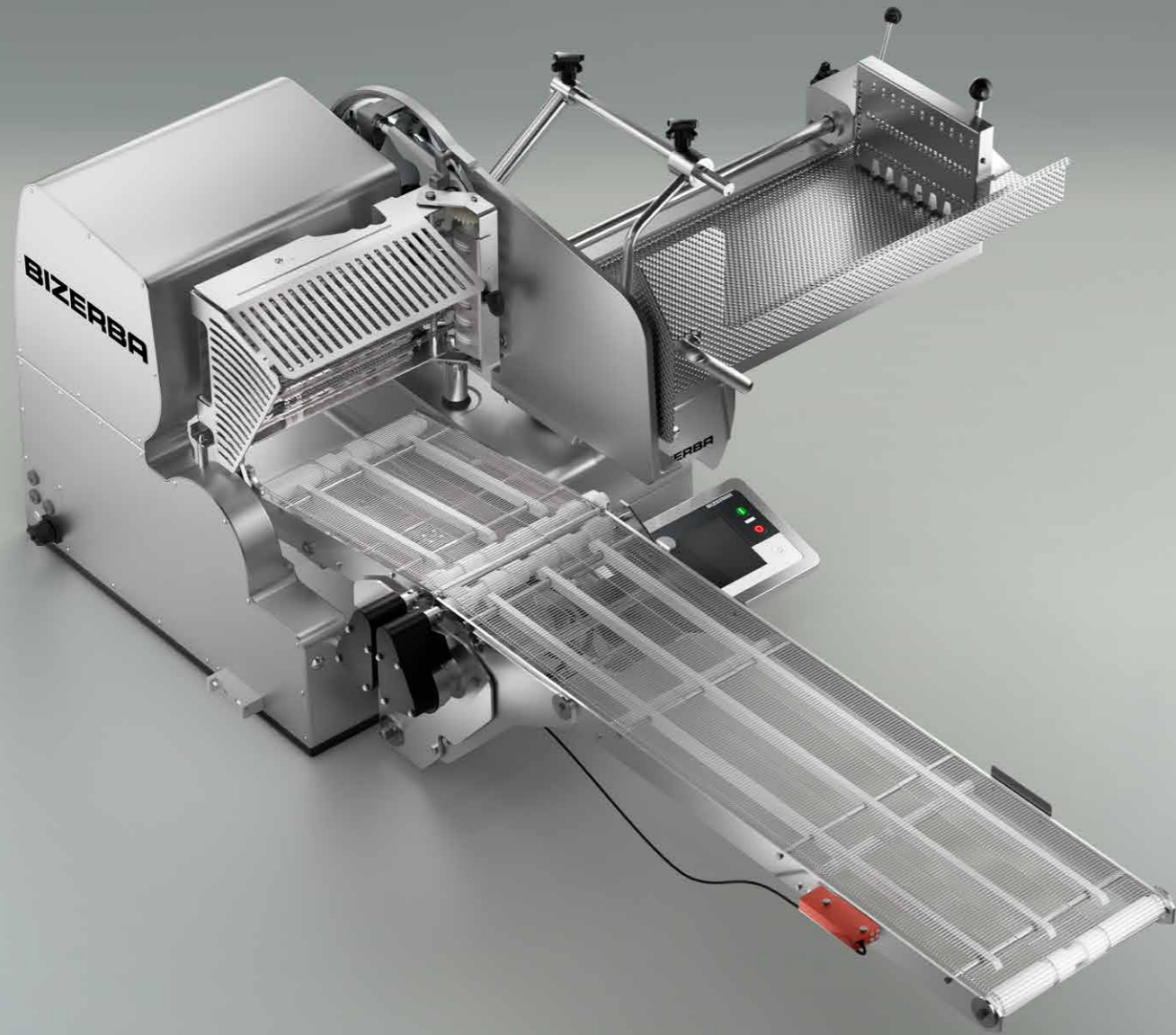
- Individual equipment:
  - Product holder
  - Product clamping
  - Carriage length for products of up to 600 mm
  - Shaving deflector
  - Blade: standard, Ceraclean®, cheese blade
- Exclusive Ceraclean® surface finish:
  - Blade cover and gauge plate
  - Excellent sliding properties for very sticky products
  - Rapid cleaning
  - Dishwasher safe
- Mobile or stationary stand
- Conveyor belt versions
- I/O interface
- Light sensor or proximity sensor

## Dimensions





# Simply more options



Thanks to our wide range of accessories you gain access to more opportunities—in terms of products to be sliced and hence your production. Combine model and accessories to match your needs—quickly, easily and in best Bizerba quality.



5 portions, wire mesh conveyor belt



1 portion, plastic belt



Plate



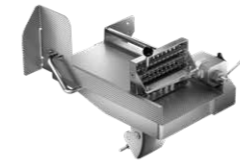
Product guide



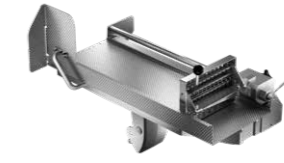
Vertical product clamping



Horizontal product clamping



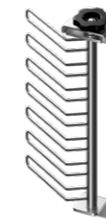
400 mm carriage



600 mm carriage



Mobile stand



Shaving deflector



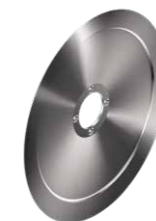
Light sensor



Proximity sensor



Standard blade



Ceraclean® blade



Cheese blade

# All possibilities at a glance

Product	Ideal for							Application						Application area		Dimensions		Slicing performance		Max. product sizes	
	Sausages/cold cuts	Meat, fresh	Ham with bones	Cheese	Fruit/vegetables	Bread	Pre-slicing	Presentation	Assisted sales	Retail area (counter)	Canteen kitchen/restaurant	Industrial	Blade Ø [mm]	Installation area [mm x mm]	Slices/min	Product sizes Round Ø [mm]	Product sizes □ [mm]				
<b>Vertical slicers, manual</b>																					
VSC280	●	⊖	×	●	⊖	●	×	⊖	●	●	●	×	280	503 x 371		170	230 x 130				
VS12	●	⊖	×	●	⊖	●	×	⊖	●	●	●	×	330	520 x 433		225	260 x 225				
VS12 W	●	⊖	×	●	⊖	●	×	⊖	●	●	●	×	330	520 x 433		225	260 x 175				
VS12 F	●	●	⊖	●	⊖	●	×	⊖	●	●	●	×	330	520 x 433		225	260 x 225				
VS12 F35	●	●	⊖	●	⊖	●	×	⊖	●	●	●	×	350	607 x 433		270	315 x 260				
VS12 F37	●	●	⊖	●	⊖	●	×	⊖	●	●	●	×	370	607 x 433		270	360 x 290				
VS12 FP	●	●	●	⊖	⊖	●	×	⊖	●	●	●	×	350	607 x 433		270	320 x 260				
VS12 FP37	●	●	●	⊖	⊖	●	×	⊖	●	●	●	×	370	607 x 433		270	335 x 260				
<b>Vertical slicers, fully automatic/semiautomatic</b>																					
VS11 A	●	⊖	×	●	⊖	⊖	●	●	●	●	●	×	280								
VS12 A	with   without product depositing	●	⊖	×	●	⊖	⊖	●	●	●	●	●	×	330			180   225	240 x 175   260 x 175			
VS12 A W	with   without product depositing	●	⊖	×	●	⊖	⊖	●	●	●	●	●	×	330	520 x 433		180   225	240 x 175   260 x 175			
VS12 D	with   without product depositing	●	⊖	×	●	⊖	⊖	●	●	⊖	●	●	⊖	330	520 x 433	30 - 70	180   225	240 x 175   260 x 175			
VS12 D W	with   without product depositing	●	⊖	×	●	⊖	⊖	●	●	⊖	●	●	⊖	330	520 x 433	30 - 70	180   225	240 x 175   260 x 175			
VSI		●	●	×	●	⊖	⊖	●	●	⊖	●	●	⊖	330	606 x 628	30 - 80	180	240 x 180			
<b>Industrial slicers</b>																					
VSI T		●	●	×	●	⊖	⊖	●	●	×	⊖	●	●	330	800 x 847	30 - 80	180	240 x 180			
A550		●	⊖	×	●	×	⊖	●	●	×	×	⊖	●	420	1381 x 800	40 - 250	180	210 x 180			
A650		●	⊖	×	●	×	⊖	●	●	×	×	⊖	●	420	1381 x 800	40 - 300	180	210 x 180			
<b>Gravity feed slicers, manual</b>																					
GSP V 25° H	open blade cover	●	×	×	●	●	●	×	⊖	●	●	●	×	330	532 x 478		202	290 x 126			
GSP V 25° L	open blade cover	●	×	×	●	●	●	×	⊖	●	●	●	×	330	532 x 478		228	290 x 160			
GSP H 0°	open   closed blade cover	●	⊖	×	●	●	●	×	⊖	●	●	●	×	350	532 x 478		260	290 x 246			
GSP H 18° L	open   closed blade cover	●	⊖	×	●	●	●	×	⊖	●	●	●	×	330	532 x 478		235	290 x 188			
GSP H 25° L	open   closed blade cover	●	⊖	×	●	●	●	×	⊖	●	●	●	×	330	532 x 478		228	290 x 160			
GSP H 25° H	open   closed blade cover	●	⊖	×	●	●	●	×	⊖	●	●	●	×	330	532 x 478		202	290 x 126			
<b>Gravity feed slicers, semiautomatic</b>																					
GSP HD 18° L	open   closed blade cover	●	●	×	●	●	●	●	●	●	●	●	●	330	532 x 444	35 - 90	235	290 x 188			
GSP HD 25° L	open   closed blade cover	●	●	×	●	●	●	●	●	●	●	●	●	330	532 x 444	35 - 90	228	290 x 160			
GSP HD 25° H	open   closed blade cover	●	●	×	●	●	●	●	●	●	●	●	●	330	532 x 444	35 - 90	202	290 x 126			

## Legend

- Suitable for use
- ⊖ Possibly suitable for use for the respective application
- ×

.....

Semi-automatic machine: Automatic depositing—manual carriage, e.g. VS11 A and VS12 A  
 Automatic machine: Automatic depositing—automatic carriage, e.g. VS12 D

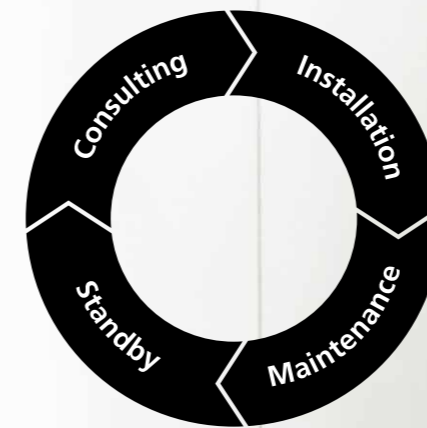
# For top quality and reliable performance

In your day-to-day work with your VSI vertical slicer, you can rely on high-quality cleaning products and original consumables in Bizerba quality. Everything is perfectly matched to your products ensuring the best possible results and longevity of your investment. A perfect example of teamwork with added benefits for you.

Optimal functioning and constant availability of your devices and machines requires professional care. Our high-quality cleaning agents play an important role since they are specifically developed for demanding conditions in retail, industry and food service. They are easy to use and show impressive results: Perfect cleanliness providing protection as well as disinfecting hygiene of sensitive components and smooth surfaces. For each material whether stainless steel, plastic or glass, we have a suitable cleaning agent in our comprehensive assortment: Clean solutions for your work area or production facility.



# Our service Professional on-site support



We supplement the use of our VSI vertical slicers with optimal service. Benefit from our experience and industry know-how. Our highly qualified service experts are at your service nationwide.

In order to obtain the maximum from your investments we are there for you with a multi-level service. This includes advice, start-up and installation of the VSI slicers as well as other services. Our perfectly matched modules ensure continuous availability.

#### Service modules

- Individually agreed service contracts
- Start-up including initial training and initial installation
- 24/7 service contract, optional
- Full support (spare parts, technical competence and on-site support)
- Large nationwide network of service experts who are quickly at your service and on-site
- A broad range of care and cleaning products
- Service hotline
- Customer training

# Service redefined My Bizerba

# Information to suit your every need



We offer you solutions from a single source which can be customized and allow you to respond to any change in a flexible manner. No matter which modules you are combining for your solution: You benefit from costs which can be planned and efficient processes. And in best Bizerba quality.

Products	Services	Contracts
<ul style="list-style-type: none"> <li>- Hardware:</li> <li>- Software &amp; Software Apps</li> <li>- Labels &amp; Consumables</li> <li>- Cleaning &amp; Care</li> <li>- Spare &amp; Wear Parts</li> </ul>	<ul style="list-style-type: none"> <li>- Consulting</li> <li>- Installation</li> <li>- Maintenance</li> <li>- On stand-by</li> <li>- Financing</li> <li>- Training</li> </ul>	<ul style="list-style-type: none"> <li>- Service contracts</li> <li>- Smart contracts</li> </ul>

---

If you are looking for a fast and reliable way to find the right solutions for your company, there are various routes to the perfect result. Whether you would like to contact us online or prefer to arrange a face-to-face meeting, Bizerba is always happy to help.

---

#### In person

If you would like to set up a personal meeting to discuss your on-site circumstances and possibilities, please contact us directly. Our customer advisors are always on hand to assist you, from the initial idea to detailed planning and from implementation to staff training. You can find details of how to contact us on the back page of this brochure.

You can even experience our solutions from all angles 'virtually' for yourself. Simply visit our website to see more:

[www.bizerba.com](http://www.bizerba.com)

#### Would you like to learn more?

Would you like to receive further and more detailed information about Bizerba products? If so, please contact us. Whether these are dimensional drawings, technical information or interface descriptions. We are happy to advise you.

#### Online

The Bizerba website provides a quick, easy and focused overview of all our product solutions as well as relevant topics relating to weighing, packaging, pricing and labeling.

# Members of the Bizerba Group

---

## **Bizerba SE & Co. KG**

Wilhelm-Kraut-Straße 65  
72336 Balingen  
Germany

T +49 74 33 12-0  
F +49 74 33 12-2696  
info@bizerba.com

[www.bizerba.com](http://www.bizerba.com)

---

## **Bizerba USA Inc.**

1804 Fashion Court  
Joppa, MD 21085  
USA

T Office +1 732 565-6000  
T Service +1 732 565-6001  
F +1 732 819-0429  
us.info@bizerba.com

[www.bizerbausa.com](http://www.bizerbausa.com)

---

## **Bizerba UK Limited**

2-4 Erica Road  
Stacey Bushes  
Milton Keynes  
Buckinghamshire  
MK12 6HS

UK  
T +44 1908 6827-40  
F +44 1908 6827-77  
sales@bizerba.co.uk

[www.bizerba.com](http://www.bizerba.com)

---

## **Bizerba Canada Inc.**

6411 Edwards Blvd  
Mississauga  
Ontario L5T2P7  
Canada

T +1 888 240-3722  
ca.info@bizerba.com

[www.bizerba.ca](http://www.bizerba.ca)

---

## **Bizerba Shanghai**

### **Weigh Tech & Systems Co. Ltd.**

D-3, Qianpu Road,  
Shuhui Real Est.Park  
East New Area of Songjiang,  
Ind. Zone  
201611 Shanghai  
China

T +86 21 676009-99  
F +86 21 676009-98  
marketing.china@bizerba.cn

[www.bizerba.cn](http://www.bizerba.cn)

III/1000.100en © 2nd edition. Subject to modifications. 122017

Deviations in color, printing errors due to the photographic material or printing, or changes in construction and model are reserved.  
Ceraclean® and Emotion® are registered trademarks of Bizerba SE & Co. KG in at least one EU country and in the USA.